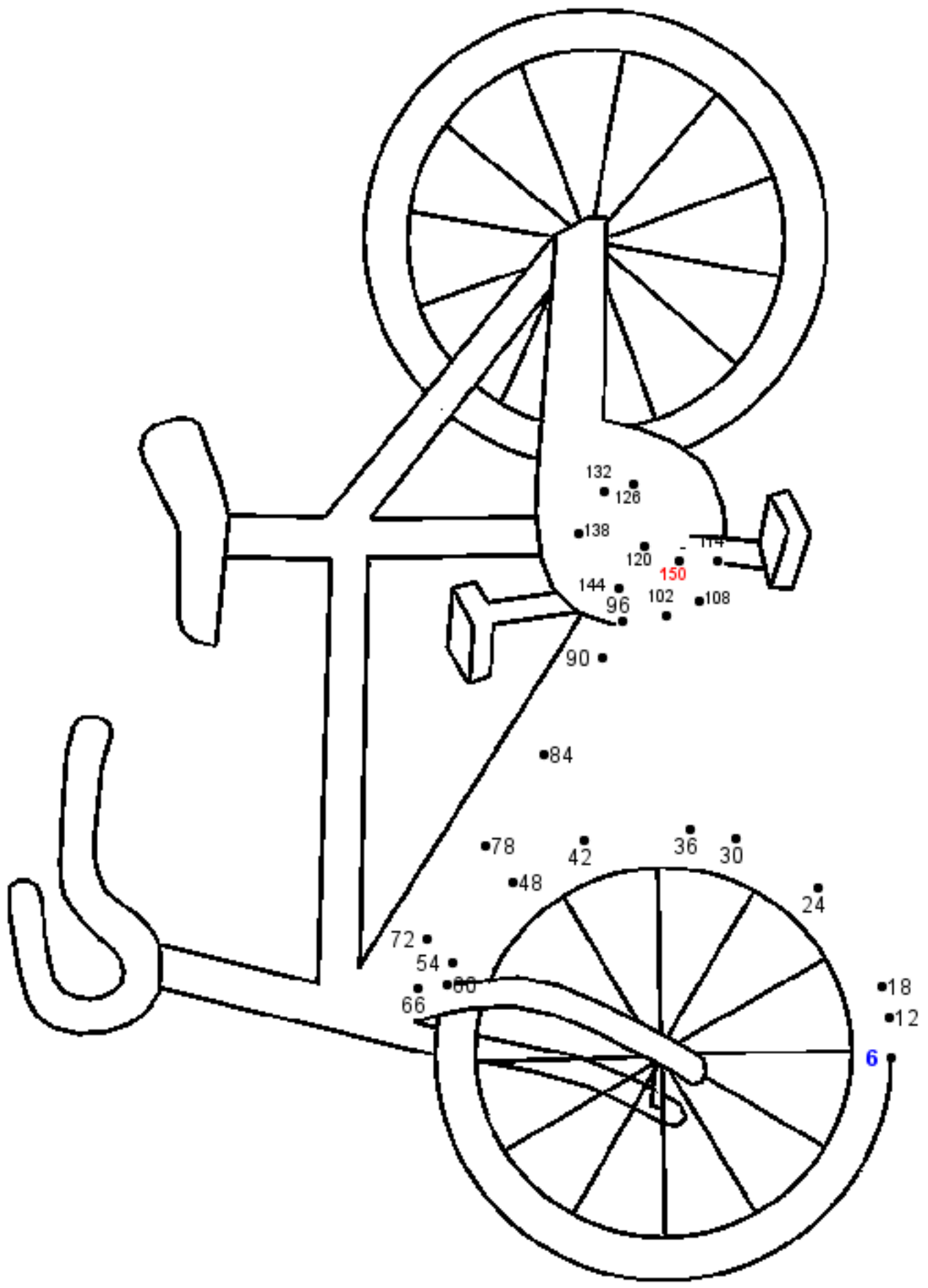
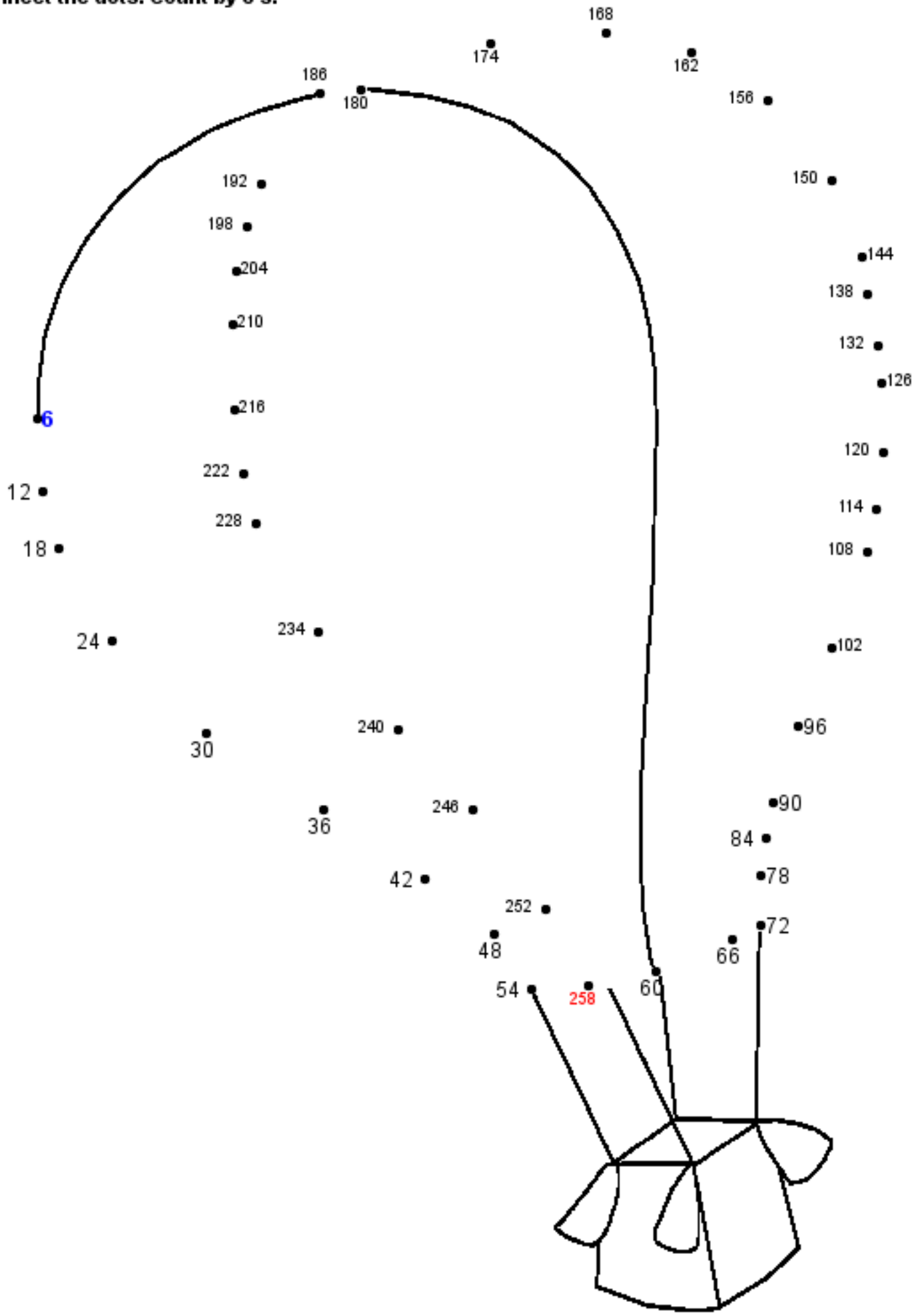


Connect the dots! Count by 6's.



Connect the dots! Count by 6's.



Connect the dots! Count by 6's.



234

222

240

216

210

204

246

198

252

192

186

258

180

264

174

270

168

276

162

282

156

288

150

144

336

330

324

318

294

342

306

300

114

120

126

132

138

108

102

96

90

84

78

72

66

60

54

6

12

18

24

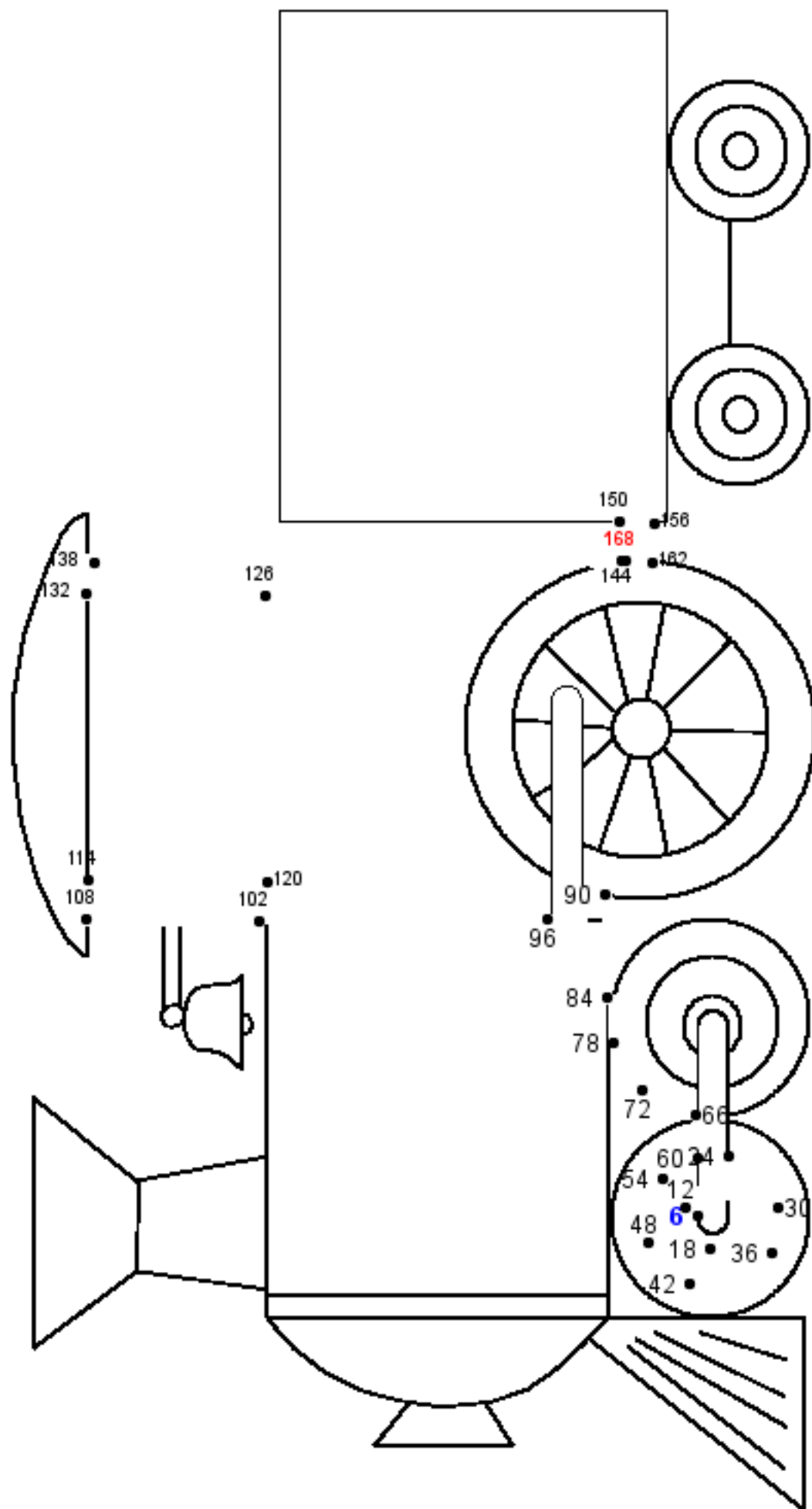
30

36

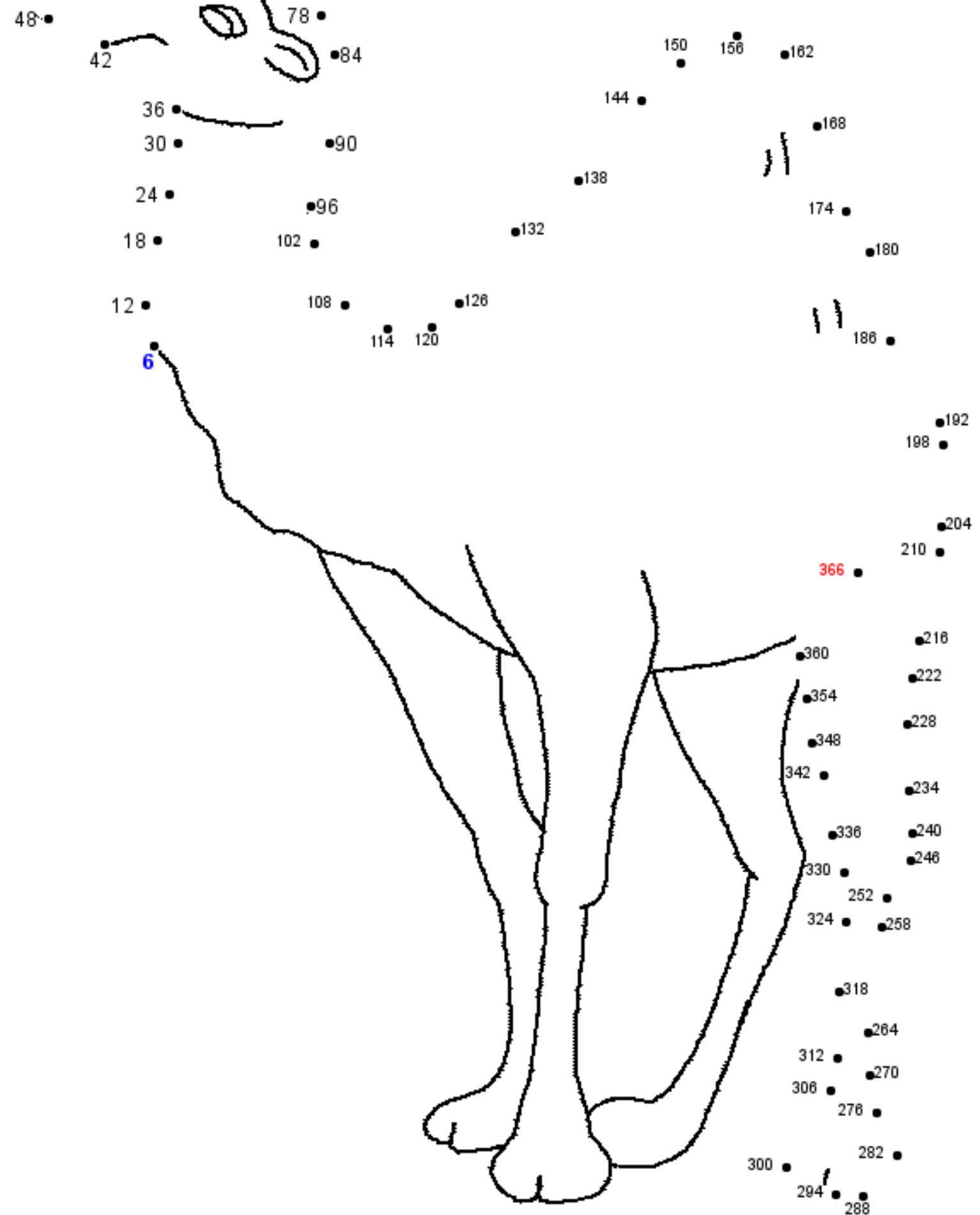
42

48

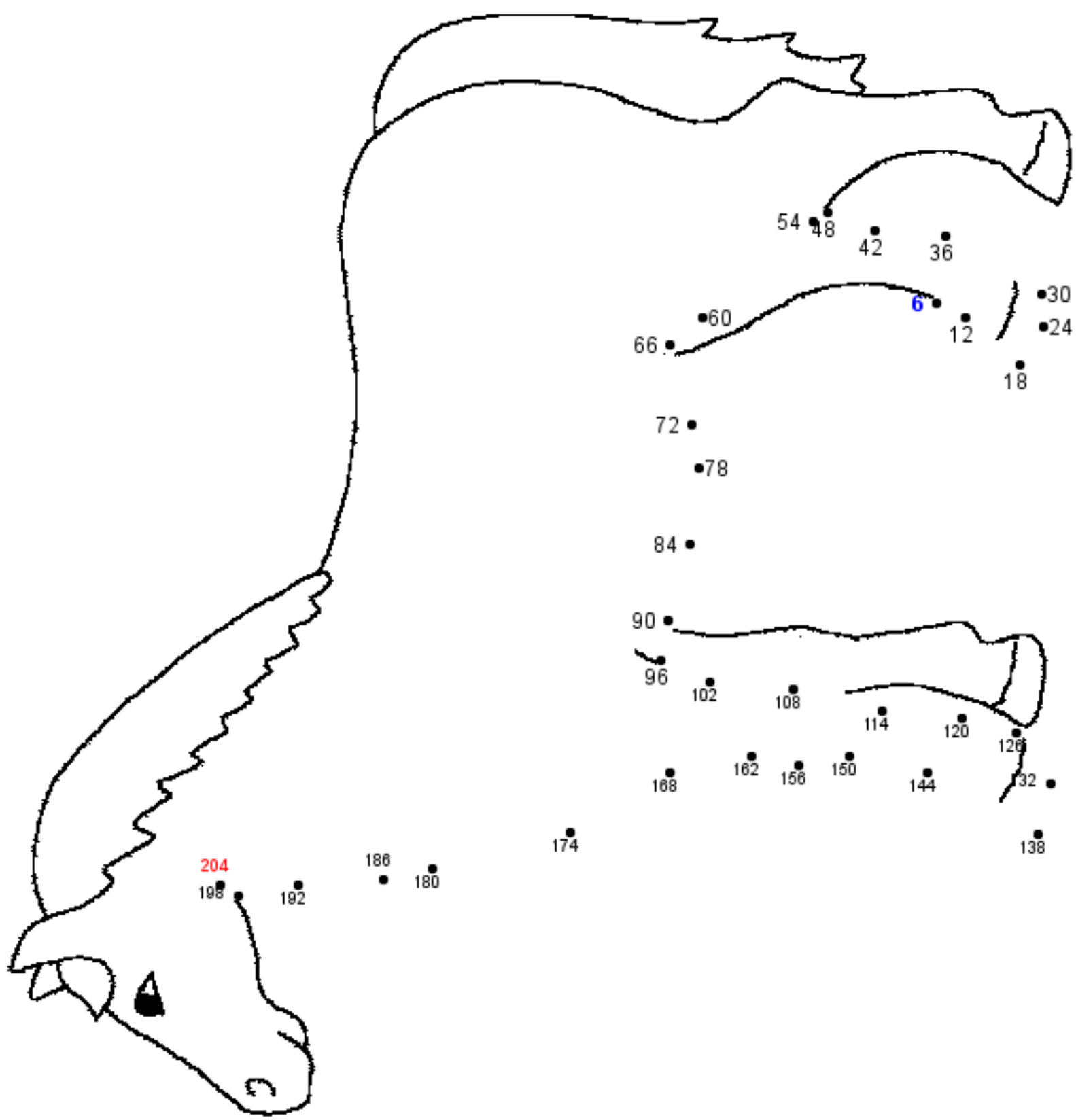
Connect the dots! Count by 6's.



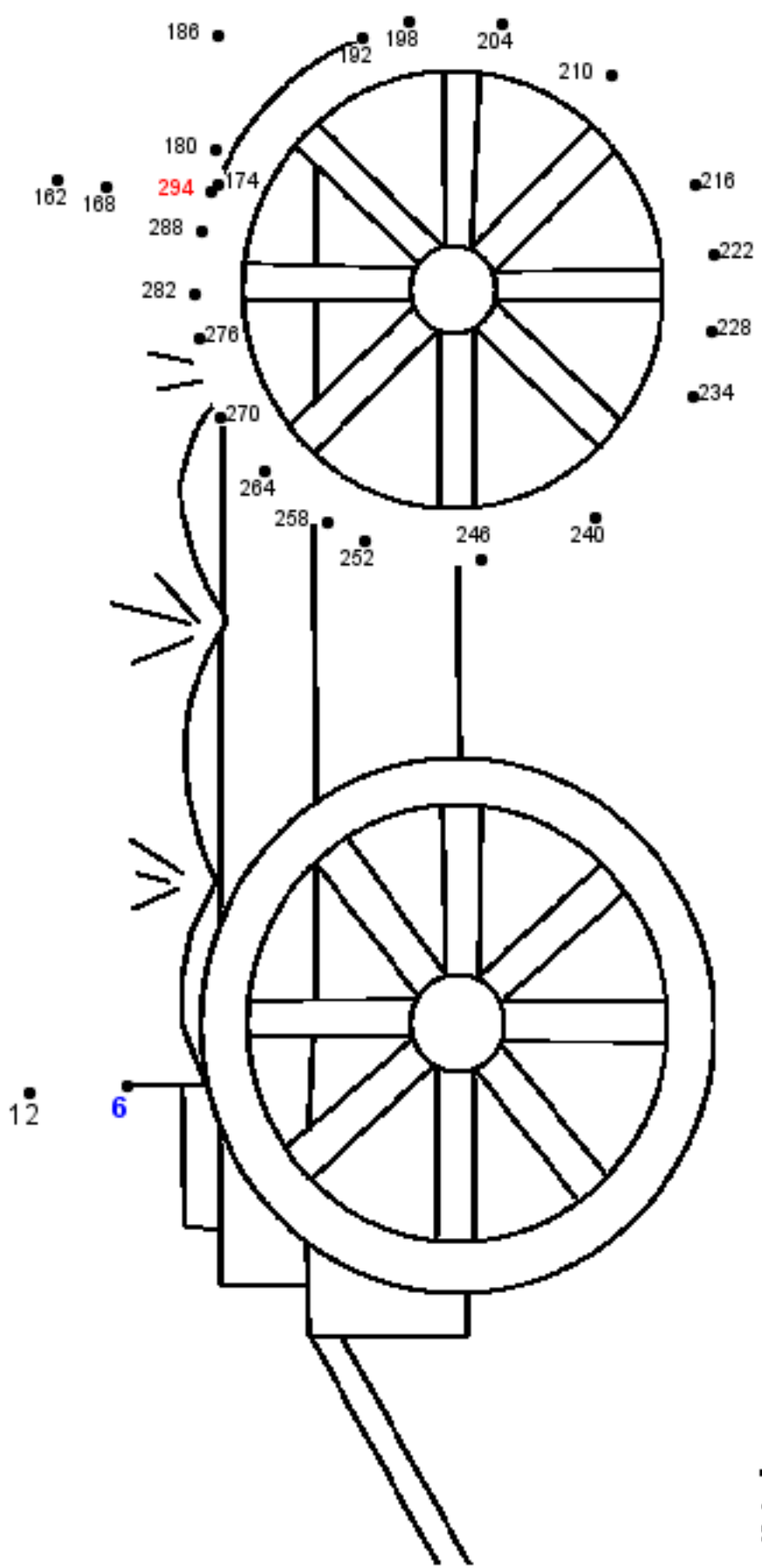
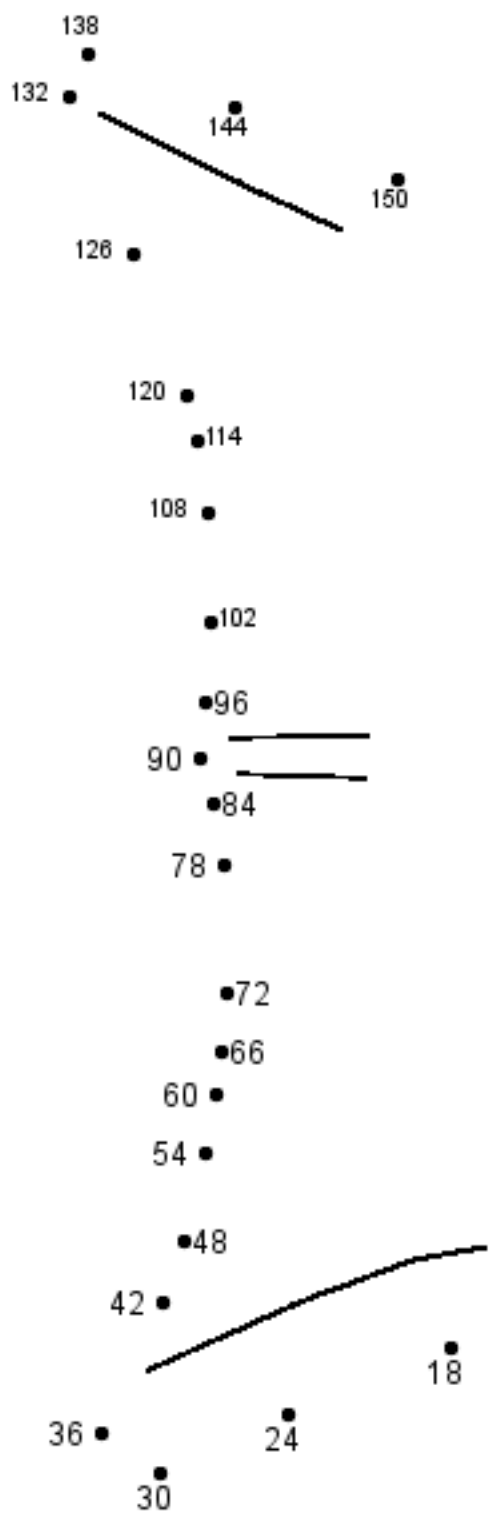
Connect the dots! Count by 6's.



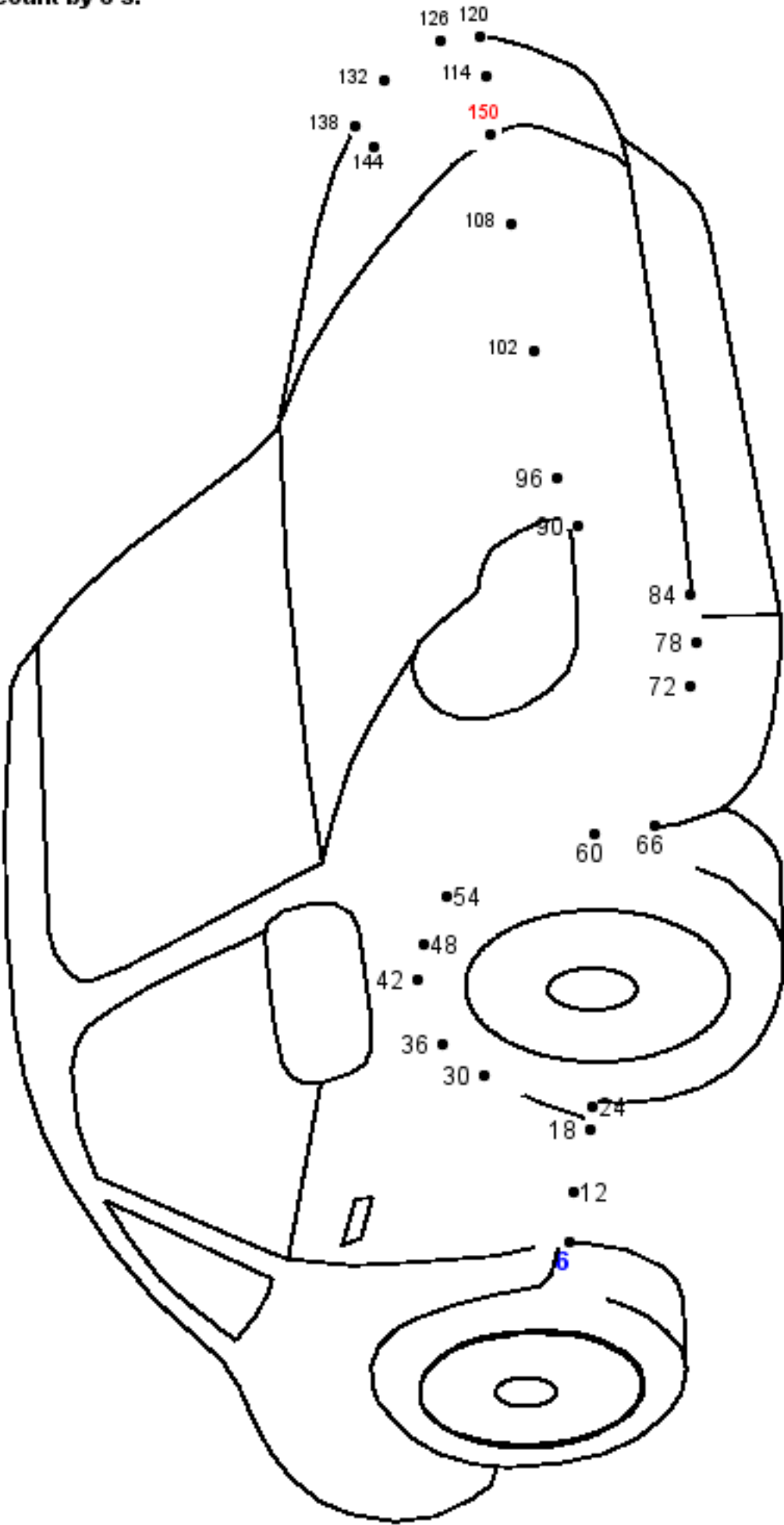
Connect the dots! Count by 6's.



Connect the dots! Count by 6's.

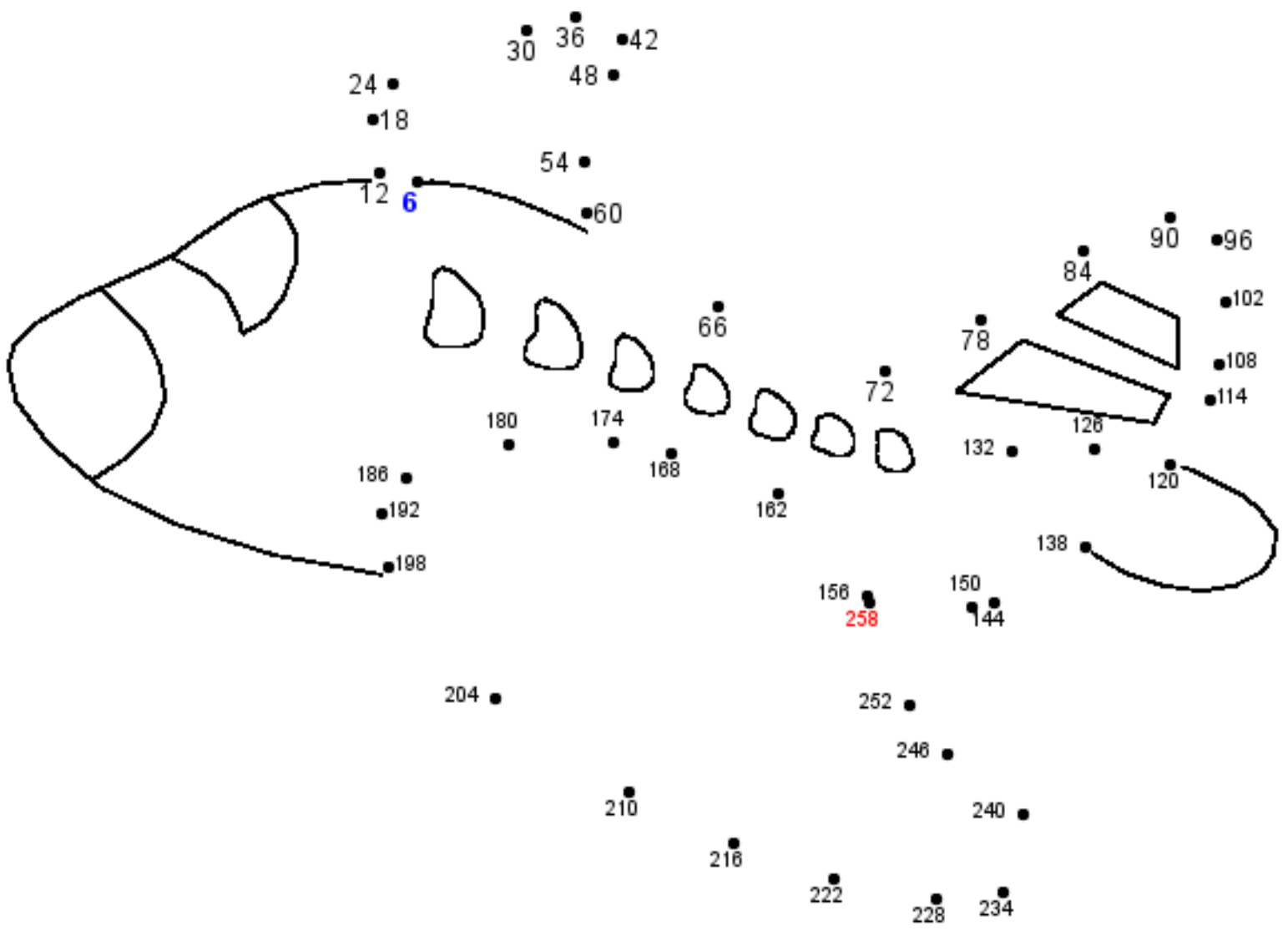


Connect the dots! Count by 6's.





Connect the dots! Count by 6's.



Connect the dots! Count by 6's.

