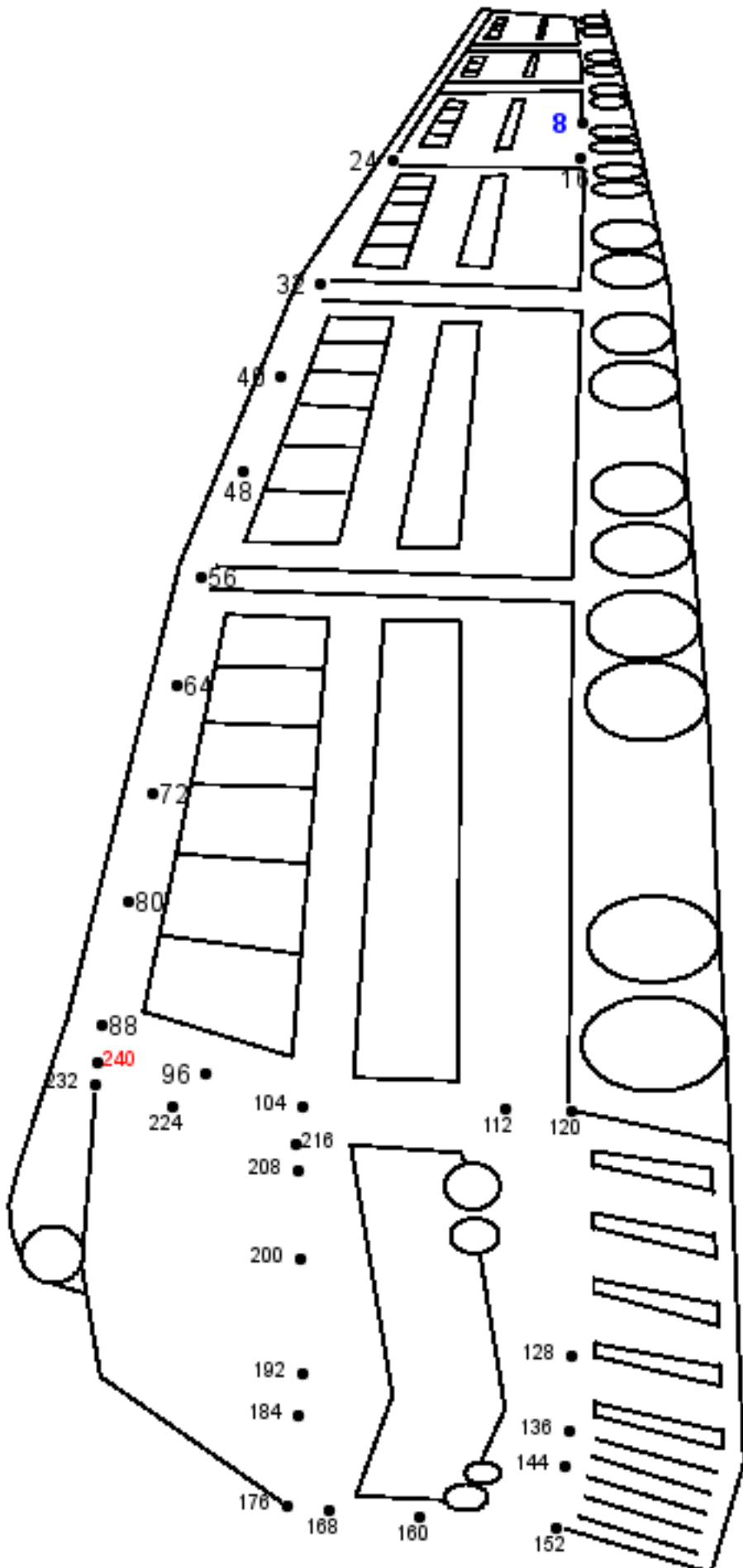
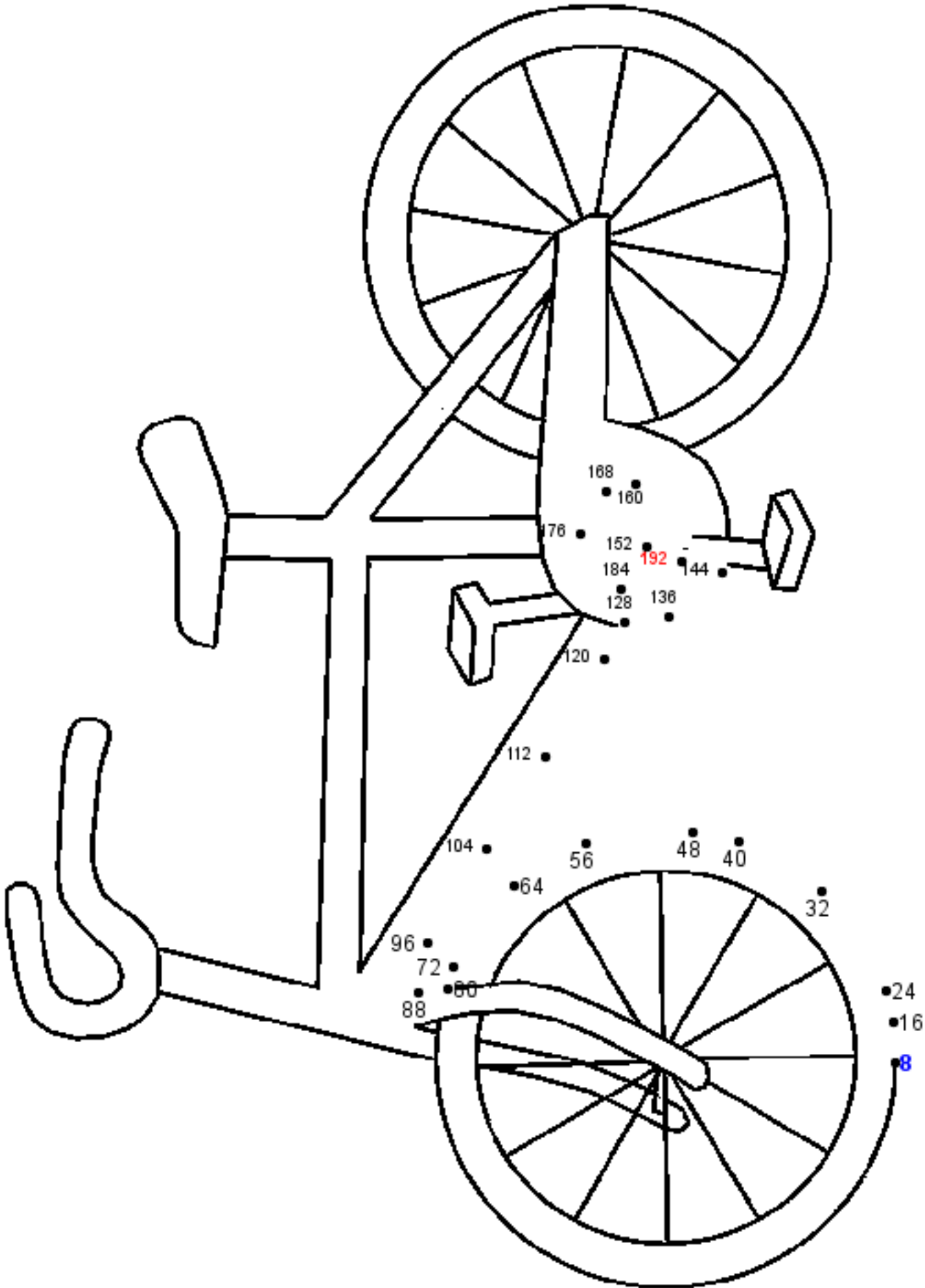


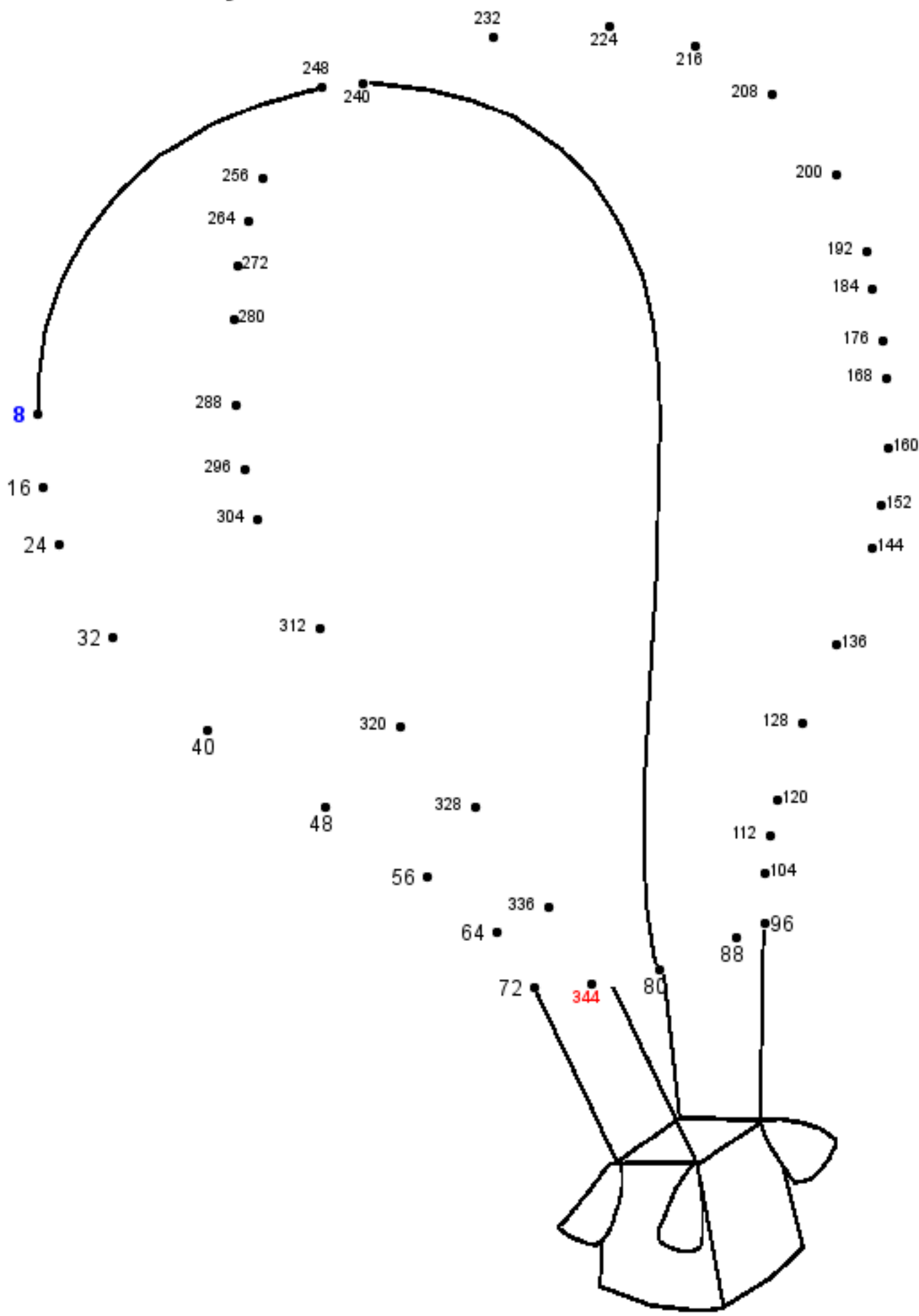
Connect the dots! Count by 8's.



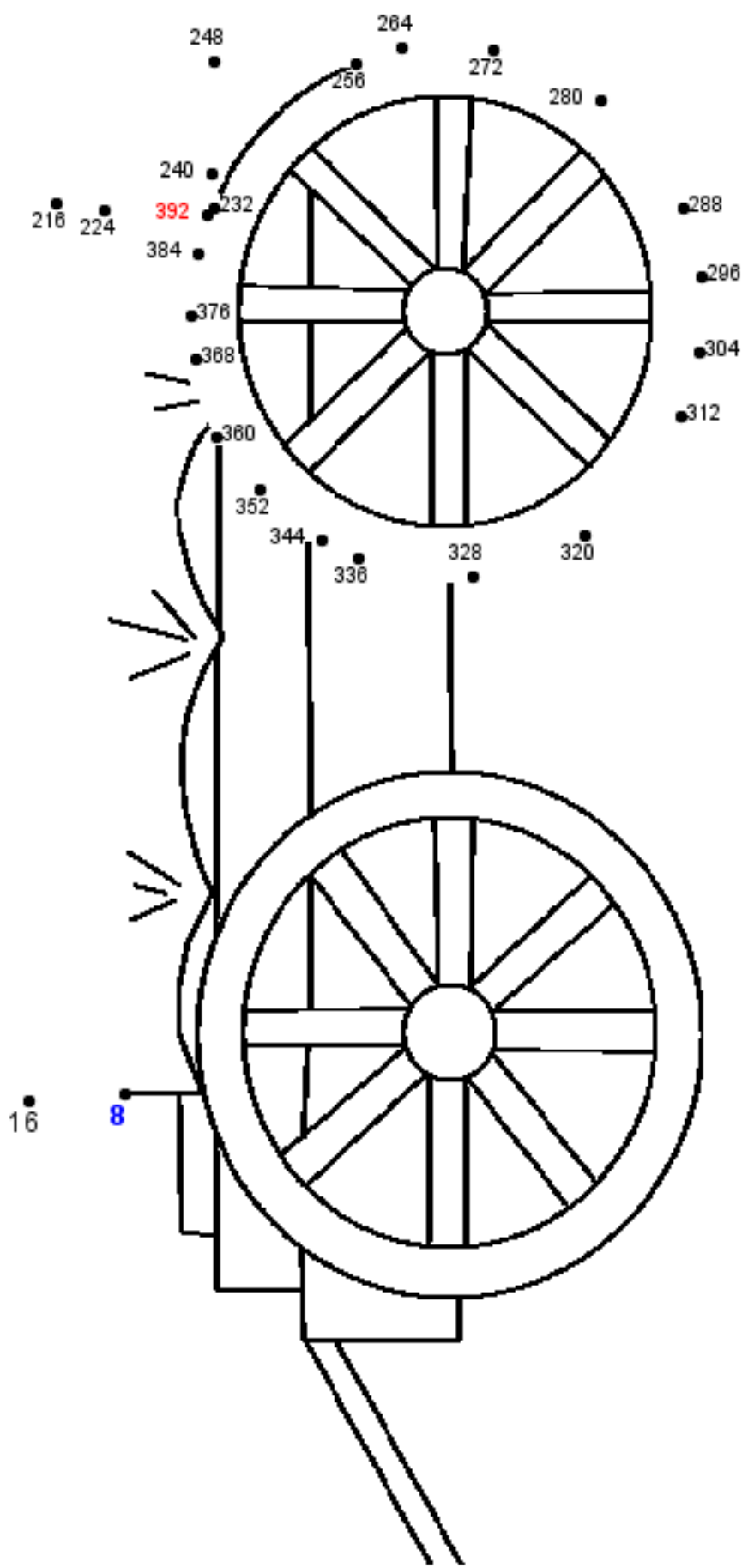
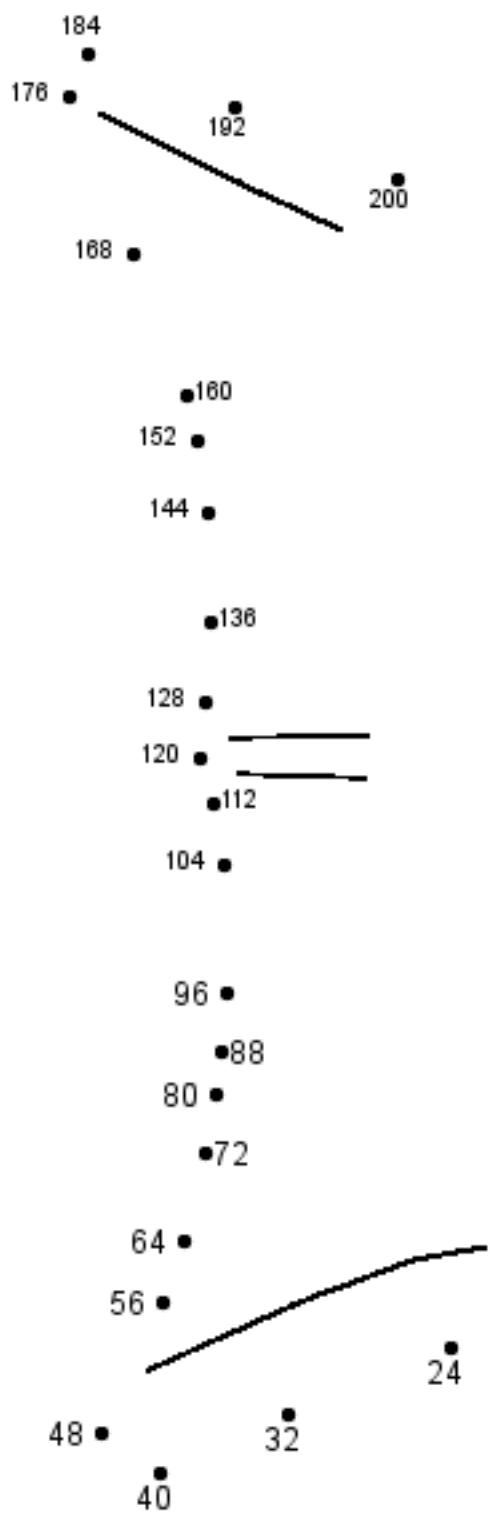
Connect the dots! Count by 8's.



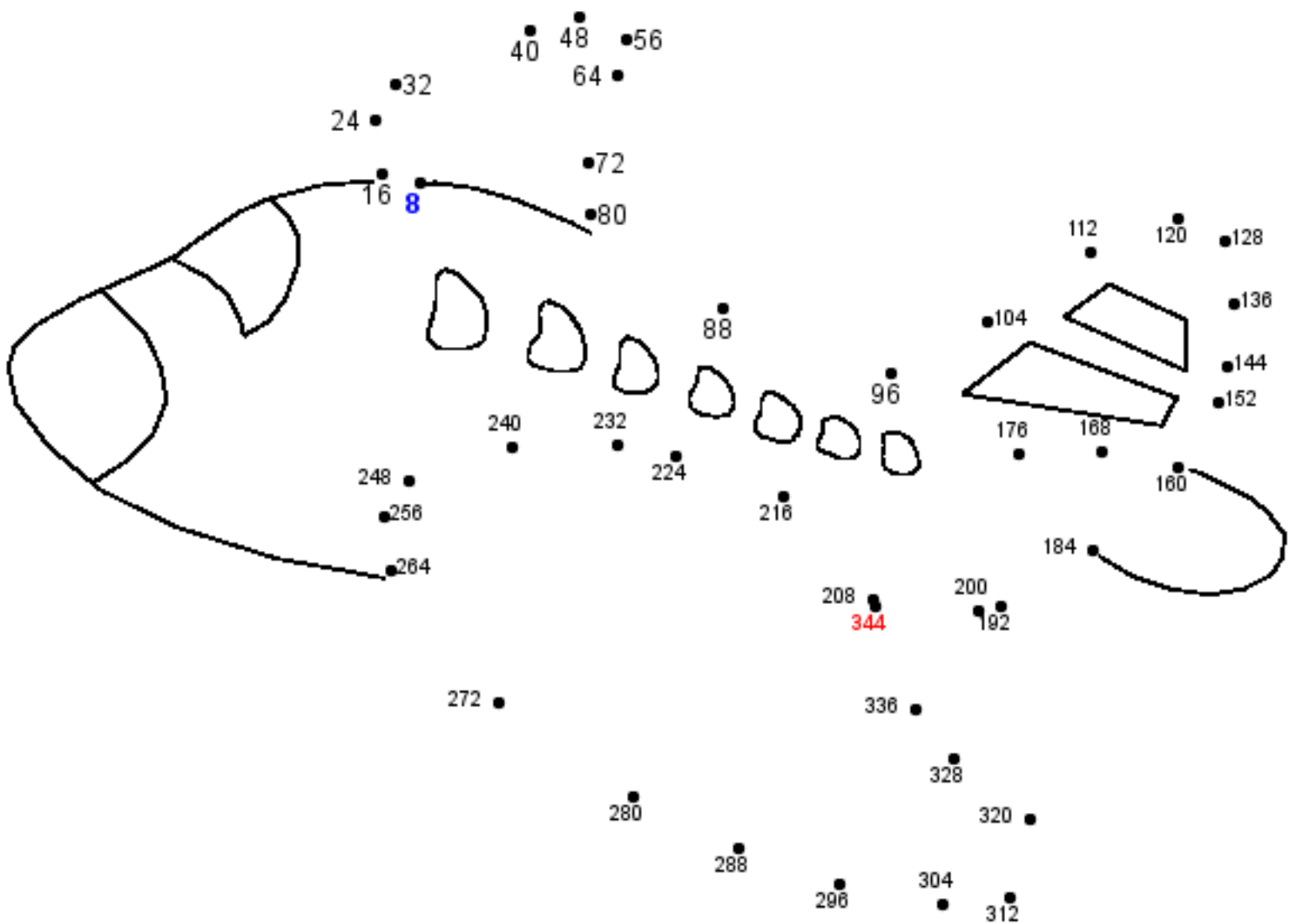
Connect the dots! Count by 8's.



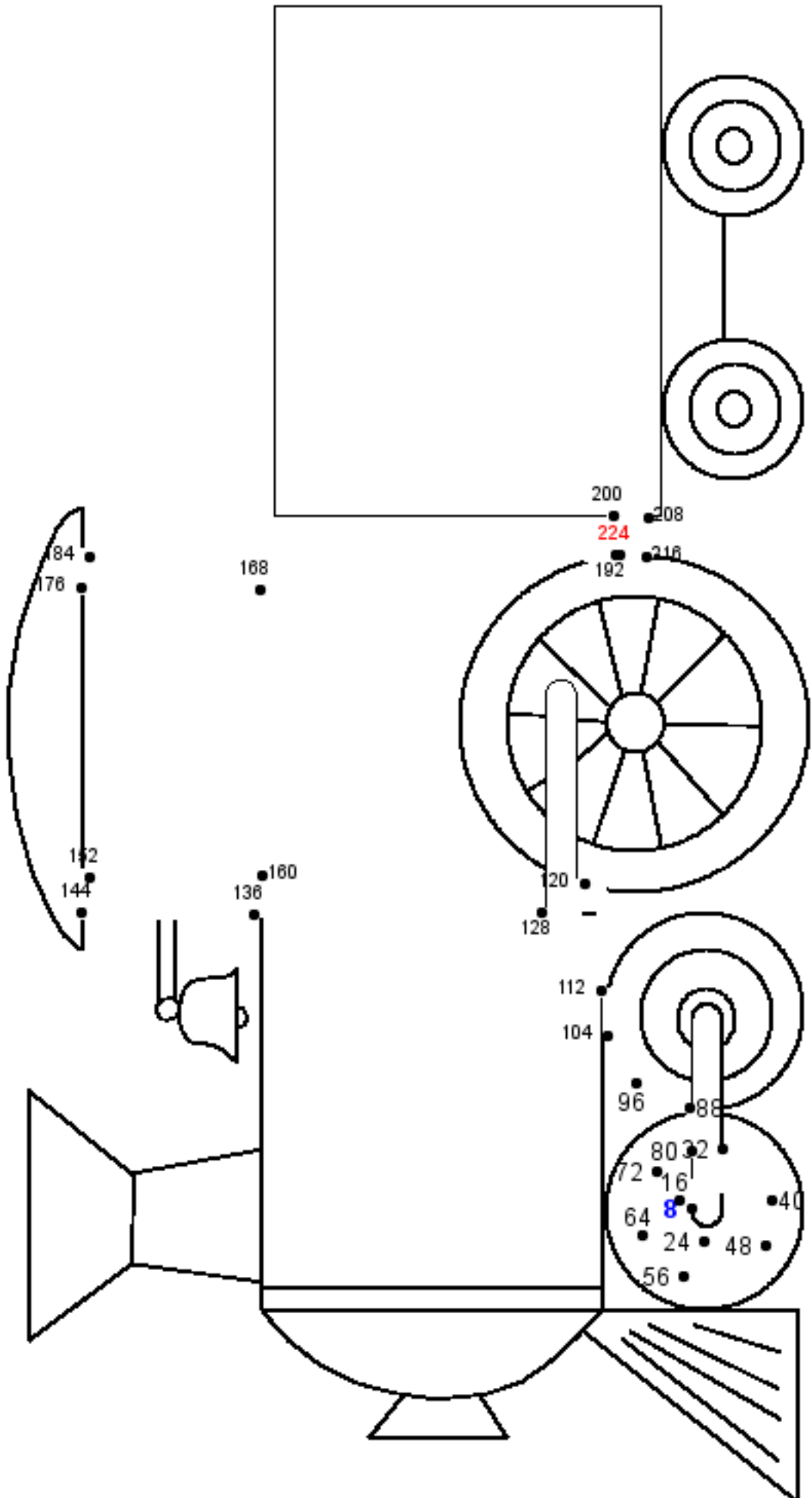
Connect the dots! Count by 8's.



Connect the dots! Count by 8's.



Connect the dots! Count by 8's.



Connect the dots! Count by 8's.



304

312

296

320

288

280

328

272

264

336

258

344

248

240

352

232

360

224

368

216

376

208

384

200

192

448

440

432

424

416

392

408

400

176

184

456

144

160

168

136

128

120

112

104

96

88

80

72

8

16

24

32

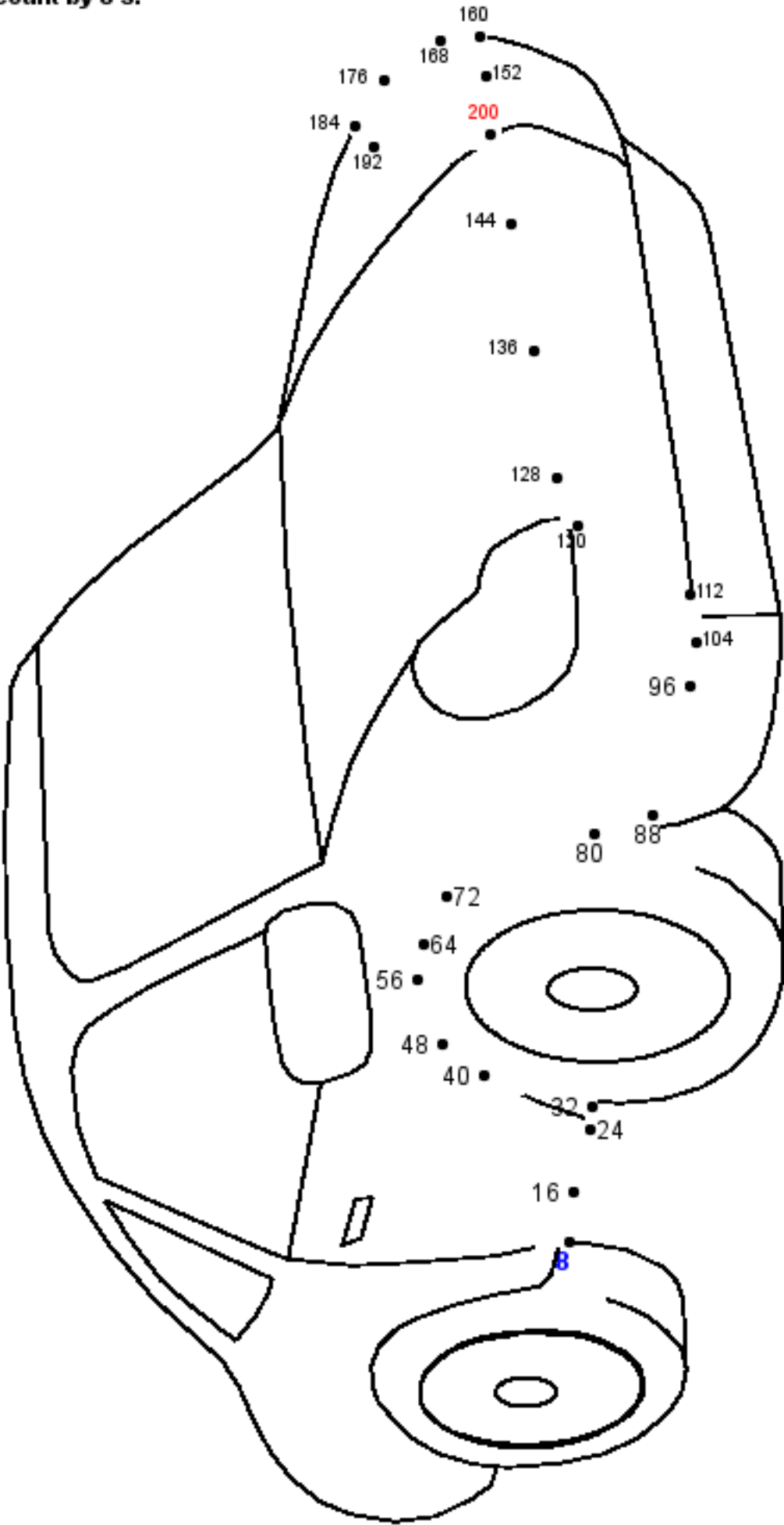
40

48

56

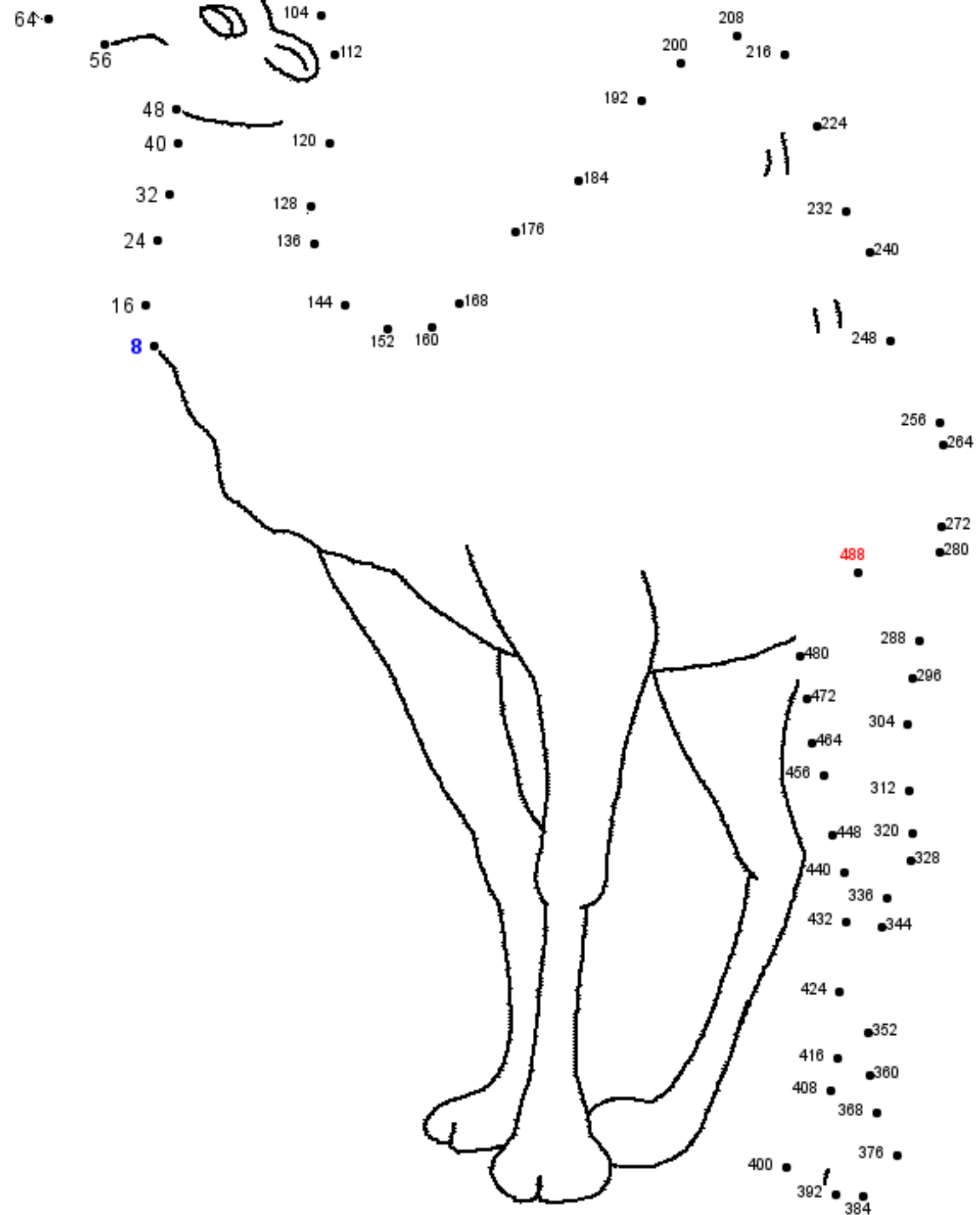
64

Connect the dots! Count by 8's.





Connect the dots! Count by 8's.



Connect the dots! Count by 8's.

