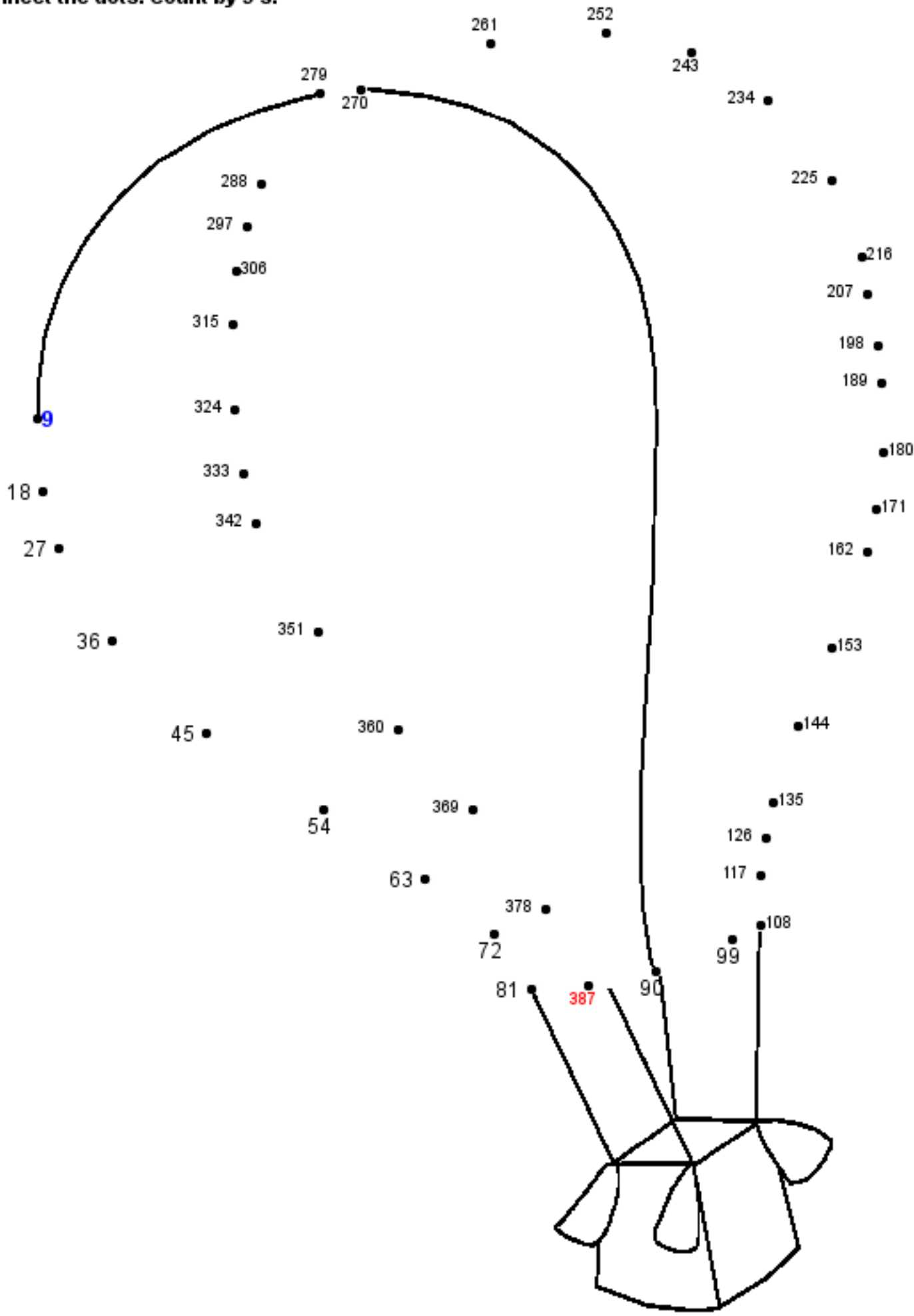
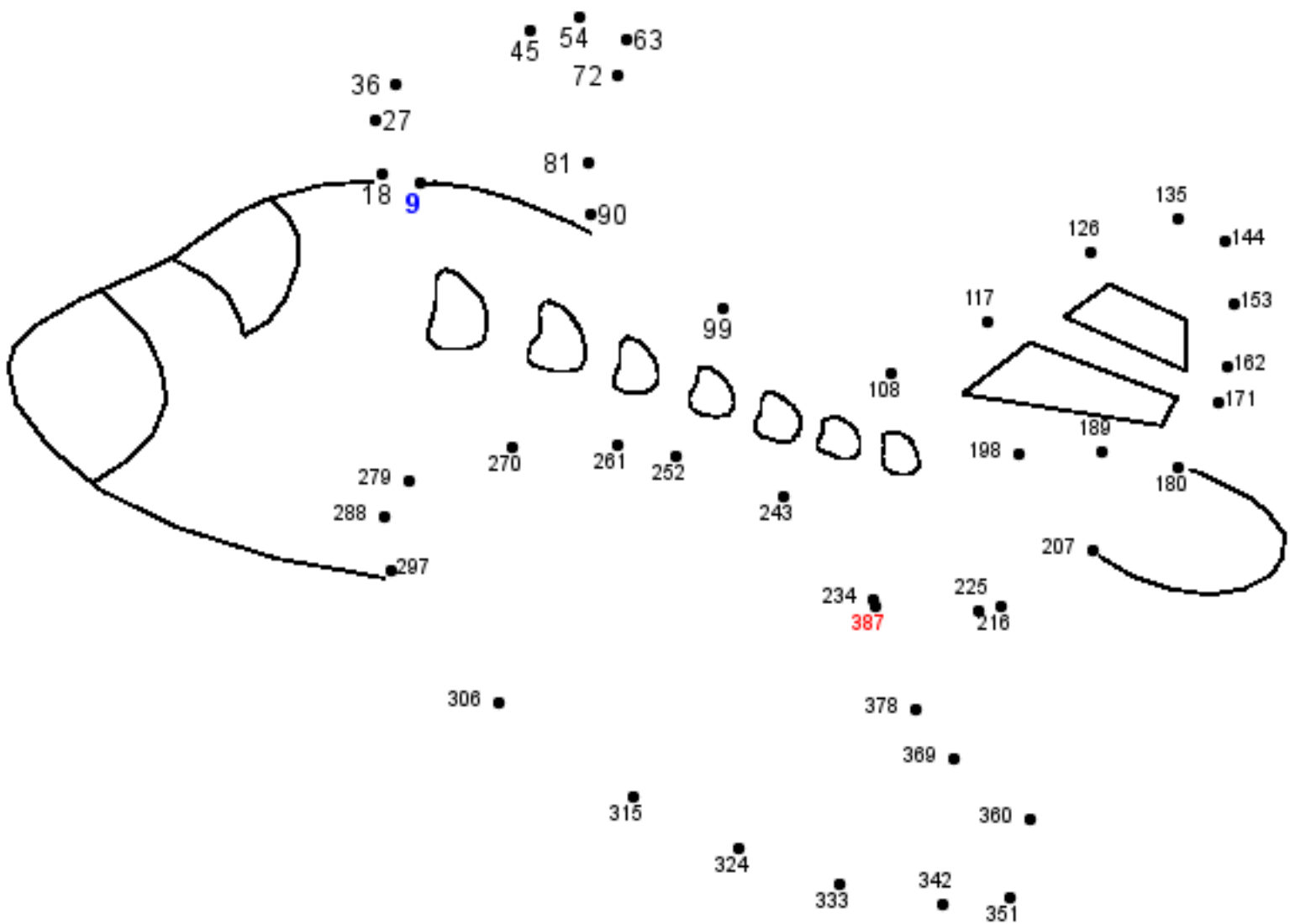


Connect the dots! Count by 9's.



Connect the dots! Count by 9's.



Connect the dots! Count by 9's.



342

351

333

360

324

315

369

306

297

378

288

279

387

270

396

261

405

252

414

243

423

234

432

225

216

504

495

486

477

441

513

468

459

450

198

207

171

180

189

162

153

144

135

126

117

108

99

90

81

9

18

27

36

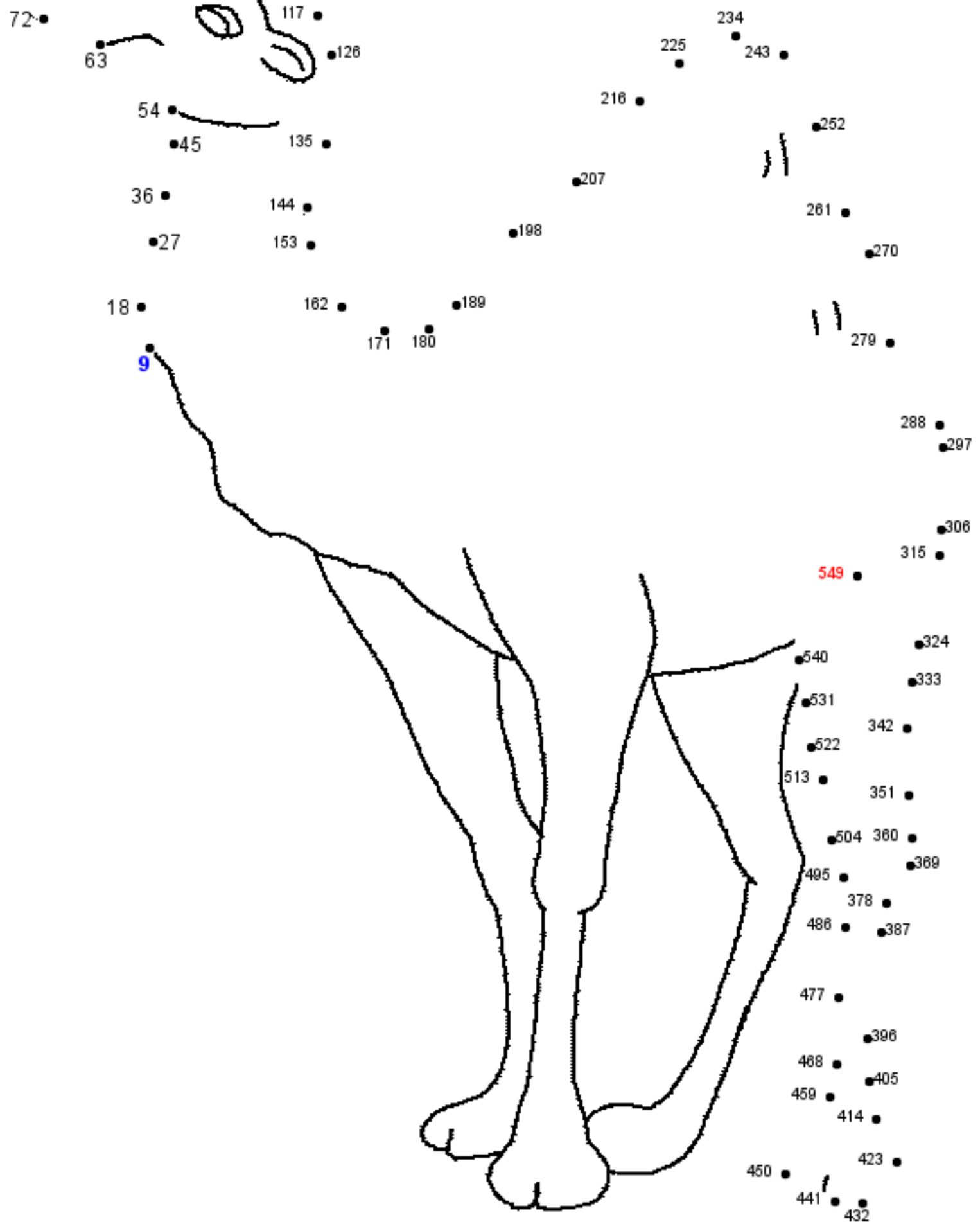
45

54

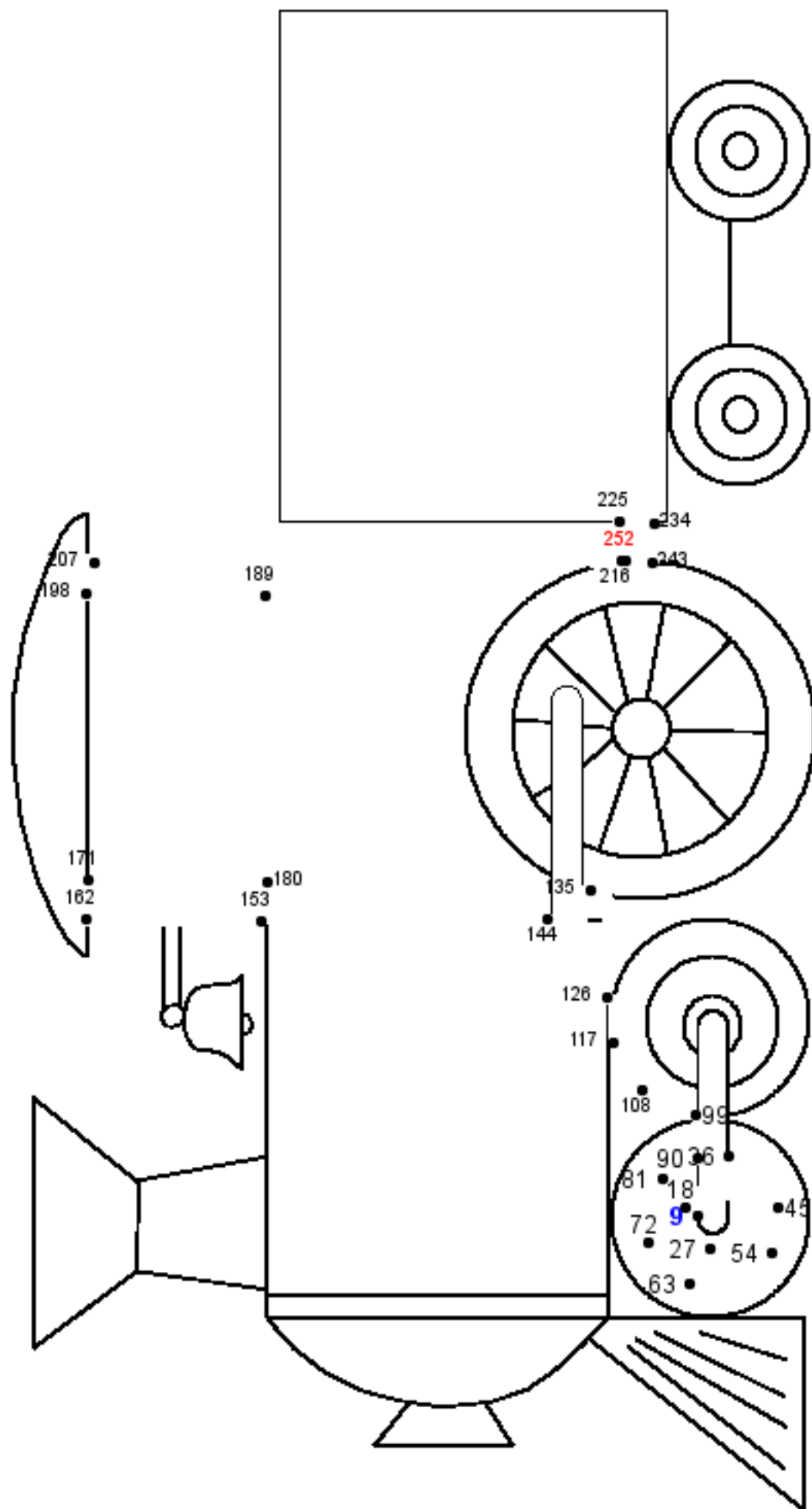
63

72

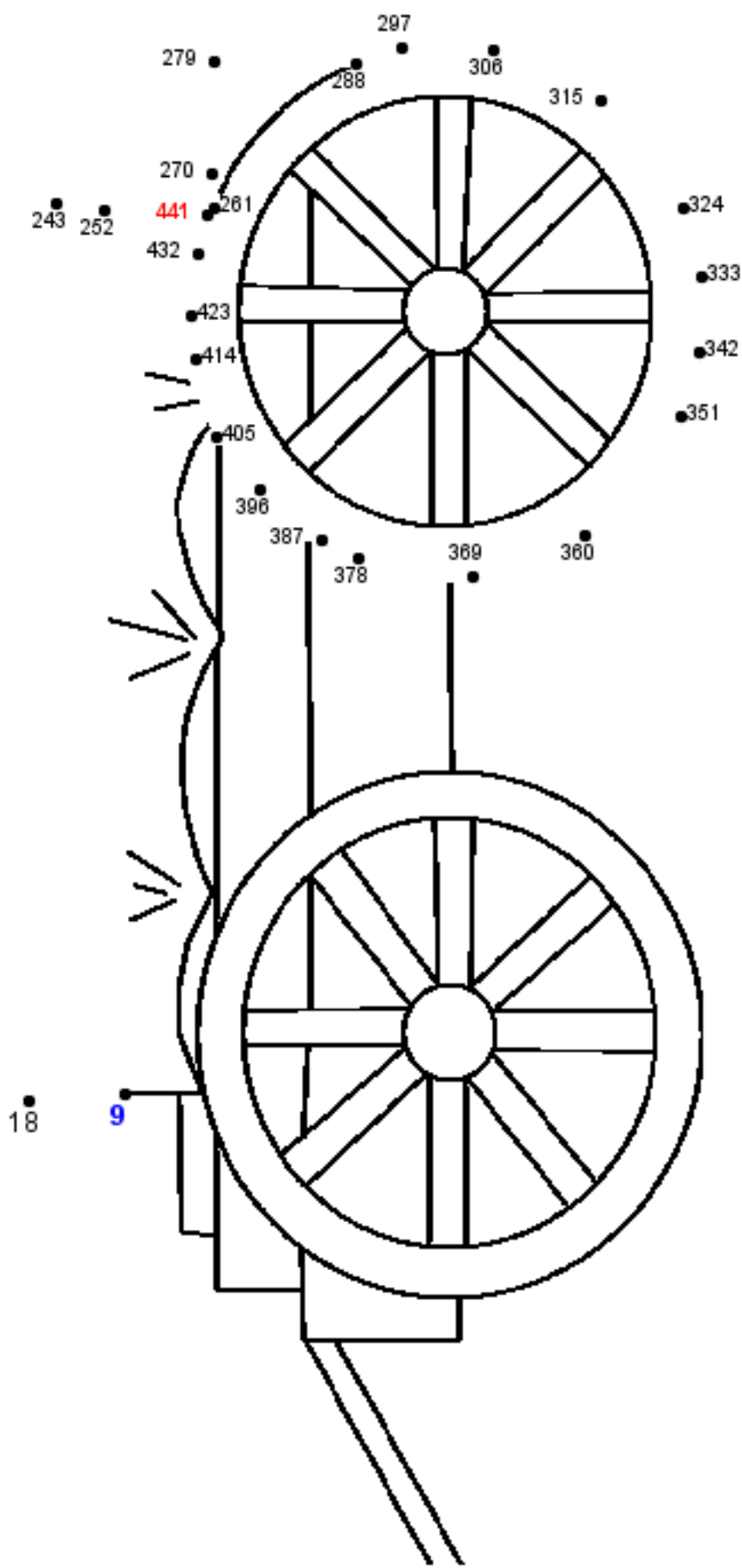
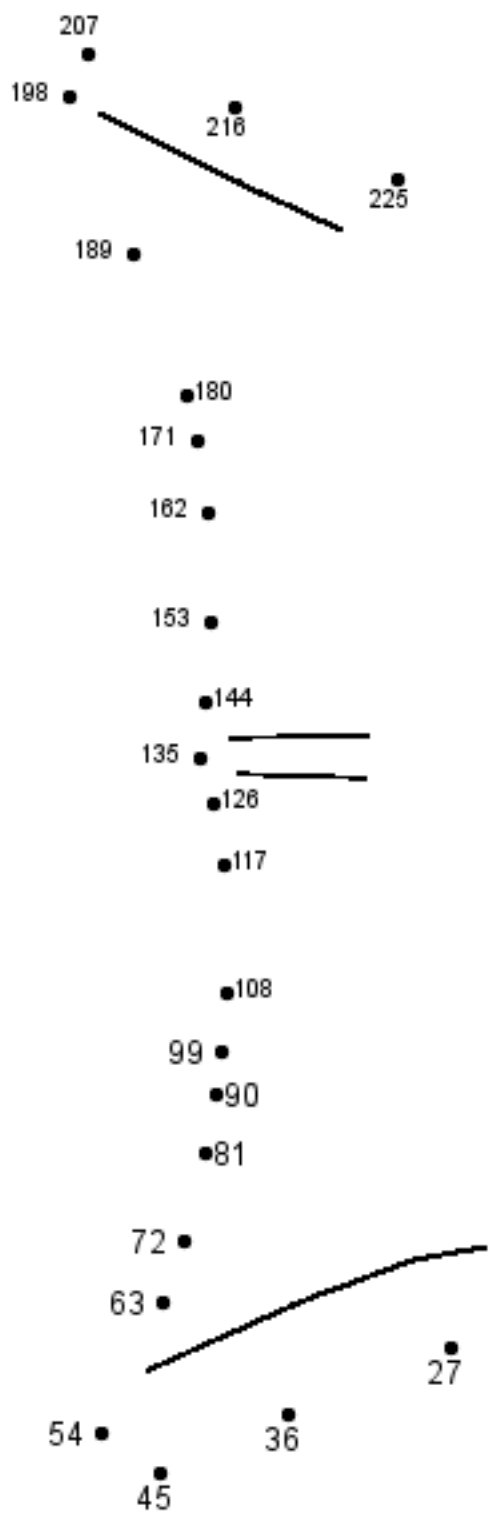
Connect the dots! Count by 9's.



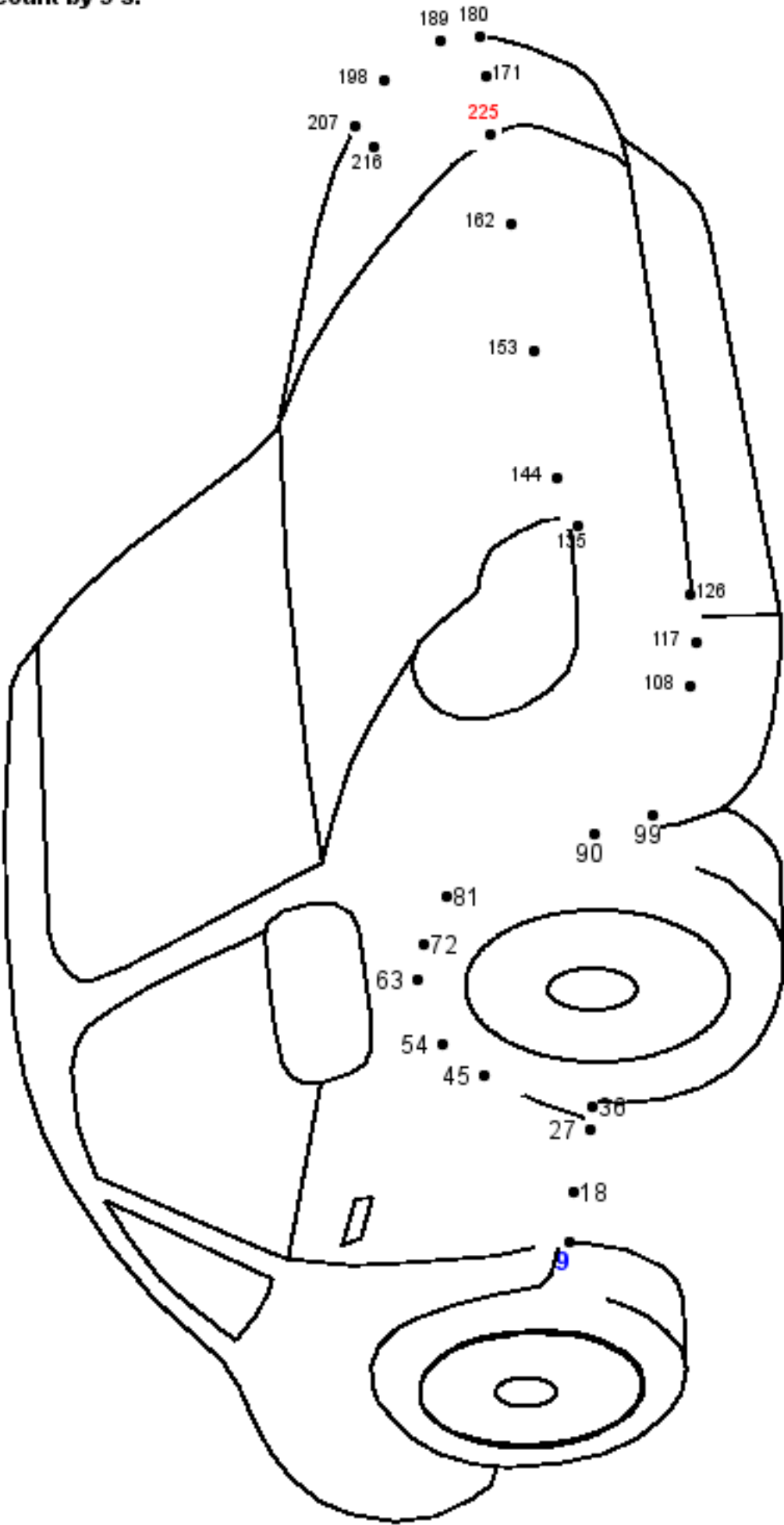
Connect the dots! Count by 9's.



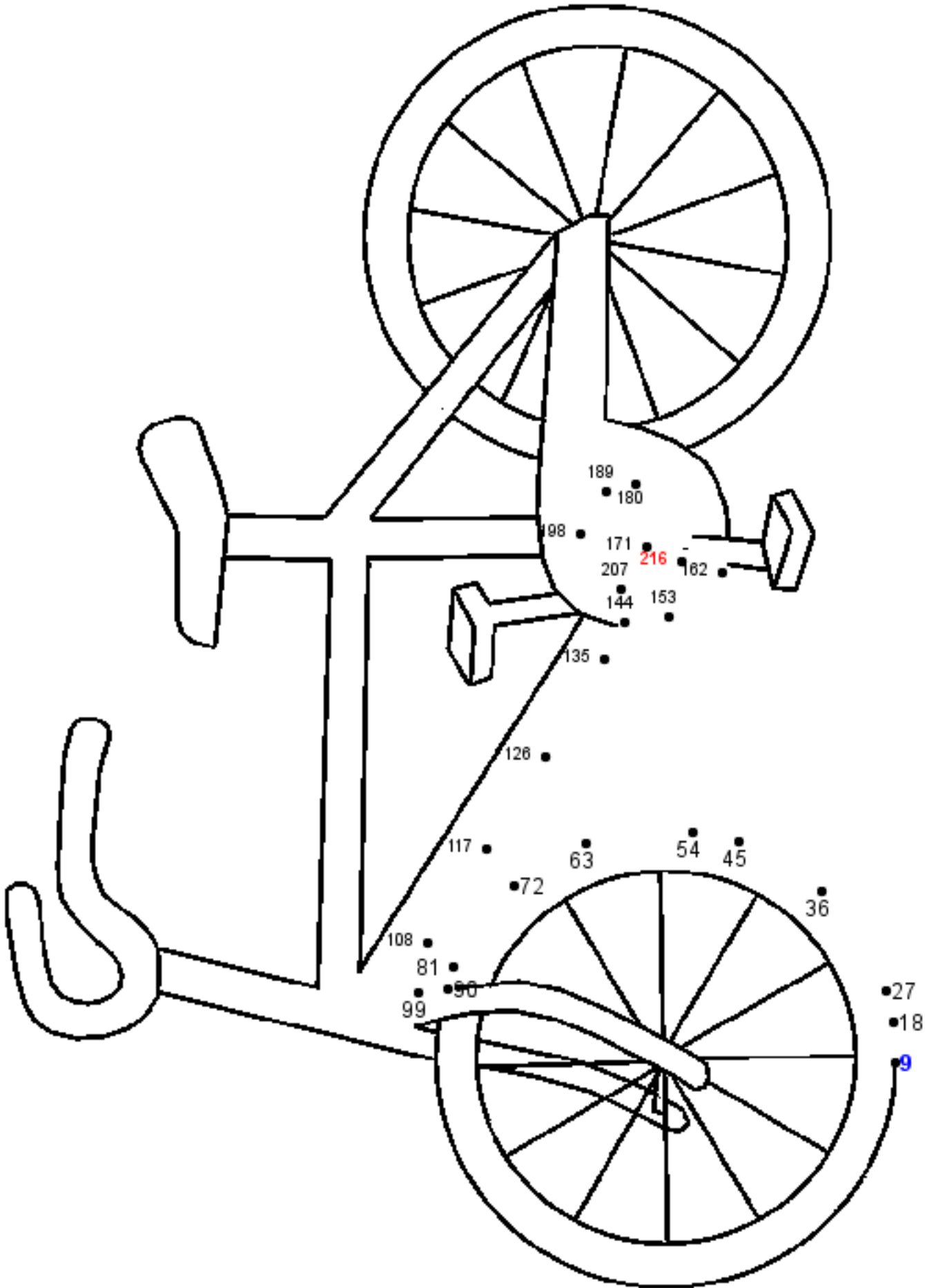
Connect the dots! Count by 9's.



Connect the dots! Count by 9's.



Connect the dots! Count by 9's.





Connect the dots! Count by 9's.



Connect the dots! Count by 9's.

